

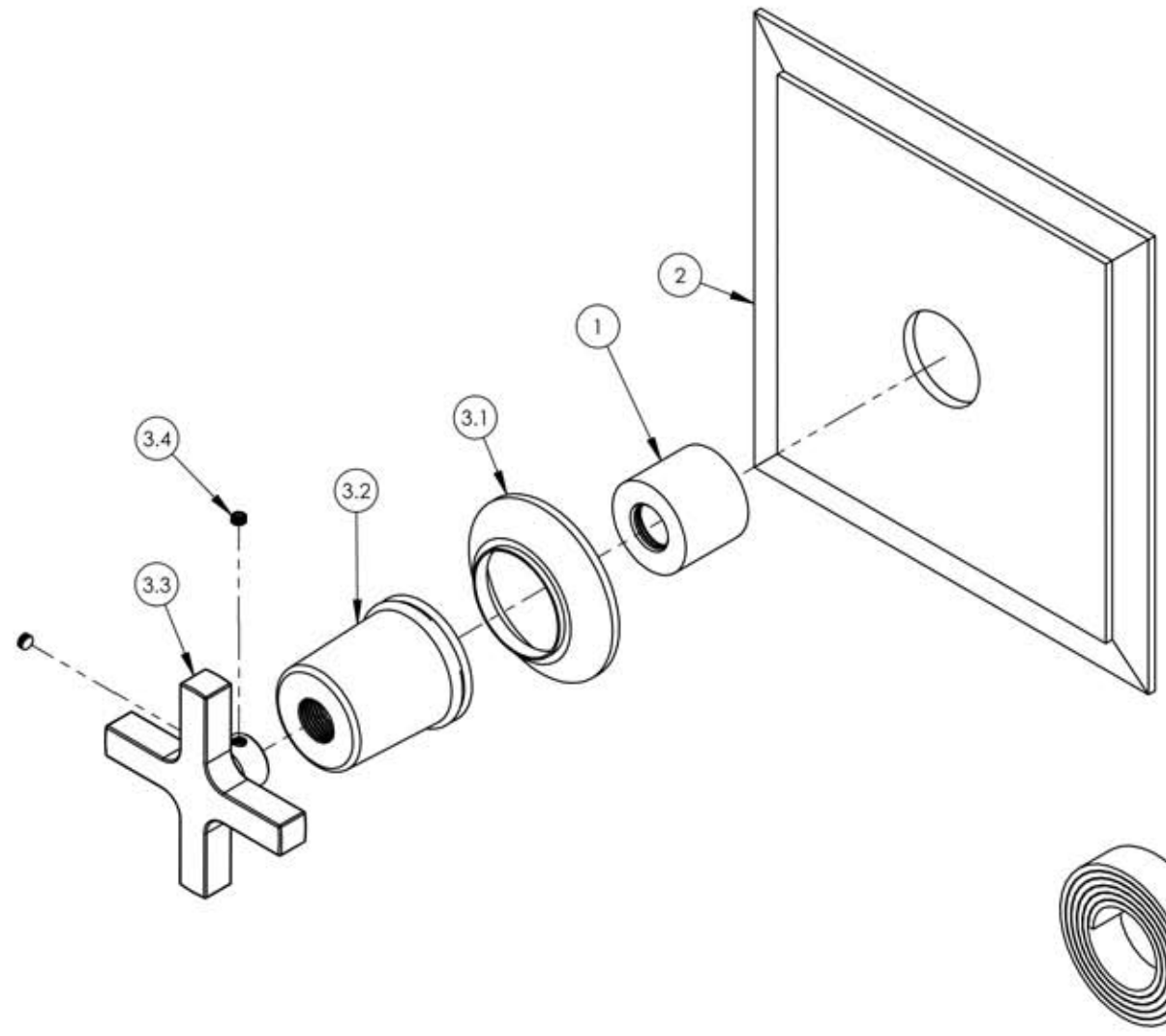
ITEM NO.	PART NUMBER	DESCRIPTION	QTY.
1	10986	CENTERING PLATE SLEEVE	1
2	11037	TRIM PLATE - BEVELED EDGES	1
3	3-132/00	CROSS HANDLE, HEX MODERN, 501 SERIES	1
3.1	10921/00	ESCUTCHEON, TRANSITIONAL	1
3.2	10922/00	HUB, FOR HEX TRANSITIONAL	1
3.3	10633/00	HANDLE CROSS, CONTEMPORARY 16PT	1
3.4	92163	SET SCREW, CONE PT 8-32 X 1/8"L	2
4	90537	1/16" TAPE FOR WALL PLATE	1

A

B

C

D



E

ZONE	REV.	DESCRIPTION	DATE	APPROVED
REVISIONS				
1261 LOGAN AVENUE COSTA MESA, CALIFORNIA 92626 PHONE: 714.361.4800 FAX: 714.617.3120		PHYLTRICH®	<b>PROPRIETARY AND CONFIDENTIAL</b> <small>THE INFORMATION CONTAINED IN THIS DRAWING IS THE SOLE PROPERTY OF RSS MANUFACTURING. ANY REPRODUCTION IN PART OR AS A WHOLE WITHOUT THE WRITTEN PERMISSION OF RSS MANUFACTURING IS PROHIBITED.</small>	
Defining Luxury Since 1959		<b>DO NOT SCALE DRAWING</b>		

-		INTERPRET GEOMETRIC DIMENSIONING & TOLERANCING IN ACCORDANCE WITH ASME Y14.5-2009 & ASME Y14.41-2003 STANDARDS, UNLESS OTHERWISE SPECIFIED. DIMENSIONS ARE IN INCHES. TOLERANCES ARE:		
NEXT ASSY	USED ON	FRACTIONS ±1/64"	DECIMALS X.X: ±.1 X.XX: ±.01 X.XXX: ±.005	ANGULAR ±.5°
APPLICATION		MATERIAL	NAME	DATE
FINISH		DRAWN	CA	12/20/2013
CHECKED				

PB PLATE, CROSS HANDLE, HEX MODERN SERIES

SIZE	ASM/PRT NO.	REV
A	4-104/00	
SCALE: 1:2	WEIGHT: lbs.	SHEET 1 OF 2

5

4

3

2

1